

# IGBT Driver Board



The IGBT Driver Board is designed to work with the CCPF series capacitor charging power supplies in partial discharge pulsed high voltage applications. With an output capability of up to 800 amps this board offers the designer a proven building block to drive flashlamps, pulsed UV, lasers or plasma devices.

For a complete easy to impliment system, combine the IGBT Board with a CCPF series capacitor charger and the SM series simmer.

## Specifications

### Performance

Maximum Current:	800 amps *
Maximum output voltage:	1200 volts *
Pulsewidth Range:	100 $\mu$ s through 10ms.
Rise/ fall time:	10 $\mu$ s @ 800 amps

### Input/Output Voltages

Input Voltage:	15 Volts DC @ 500mA
Fire Control:	5 to 15 V to run
Fan Voltage:	15 Volts DC, 250mA max.

### Connections:

Interface: (J1)	15 pin female D-Sub Pin 2, Fire Control: 5 to 15V to run Pins, 4, 12, 14 Ground All other pins: No Connection
-----------------	--

Capacitor Connector:	4 pin Molex: mating connector # 19-09-2048 Molex pin # 02-09-1102
----------------------	--

Lamp Connector:	3 pin Molex: mating connector # 19-09-1039 Molex pin # 02-09-1102
-----------------	--

Input Connector: (J3)	2 Pin Molex # 156
-----------------------	-------------------

Fan Connection: (J2, J4)	.25 male Quick Connects
--------------------------	-------------------------

\* Note: The IGBT board can be configured for different output current and voltage requirements. Contact Customer Service with your requirements



Lumina Power reserves the right to change specifications without Notice

[www.luminapower.com](http://www.luminapower.com) | [sales@luminapower.com](mailto:sales@luminapower.com) | 978-241-8260

© 2019 Lumina Power, Inc. All Rights Reserved BCE4/15/19

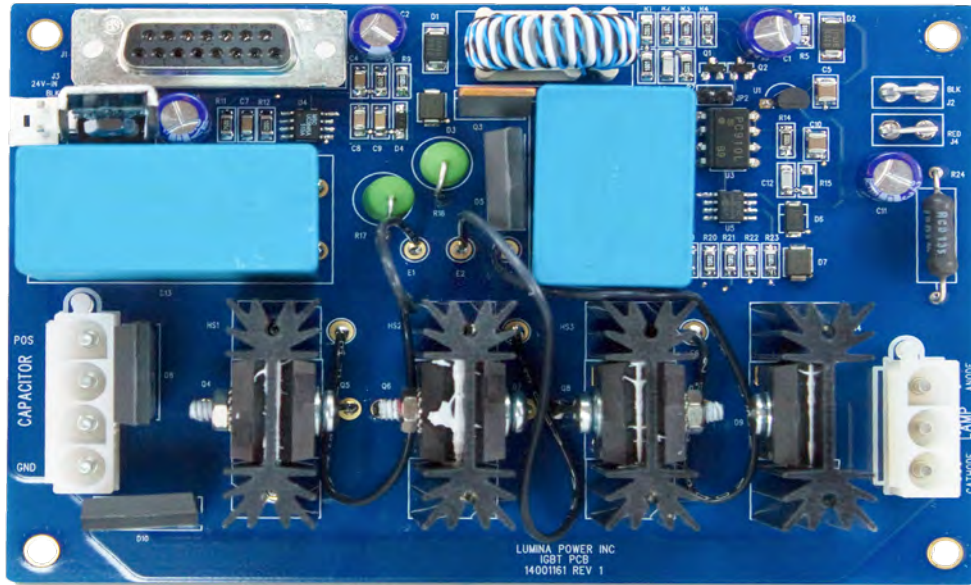
# IGBT Driver Board

Interface (J1)

15V input (J3)  
+

+

Capacitor  
Connection  
GND

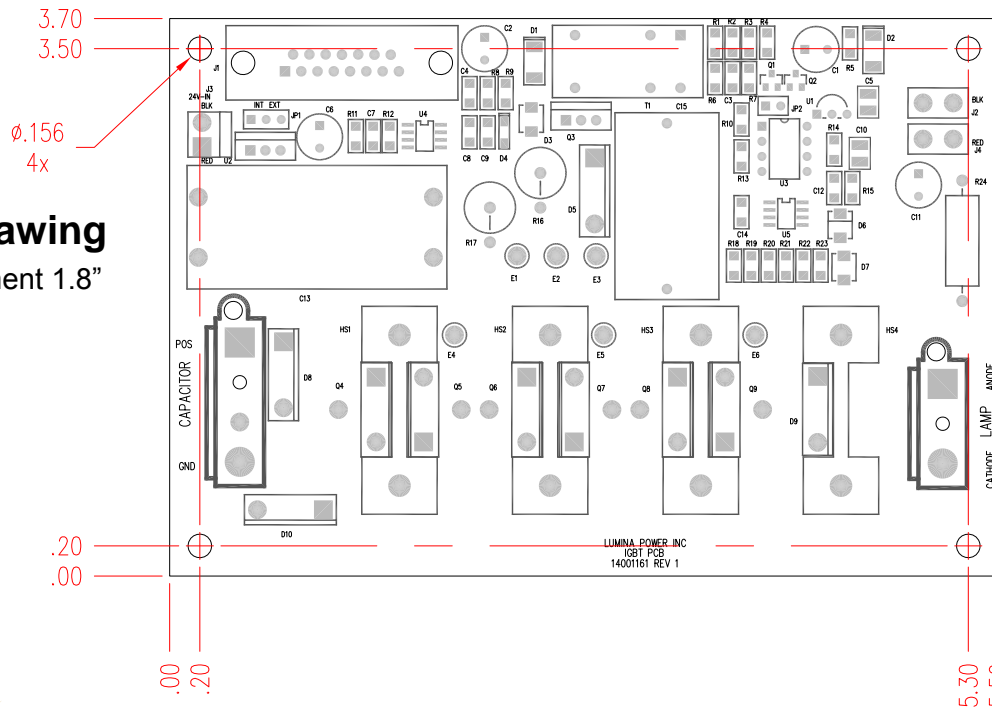


Fan Output  
15V, (J2,J4)

Lamp Anode

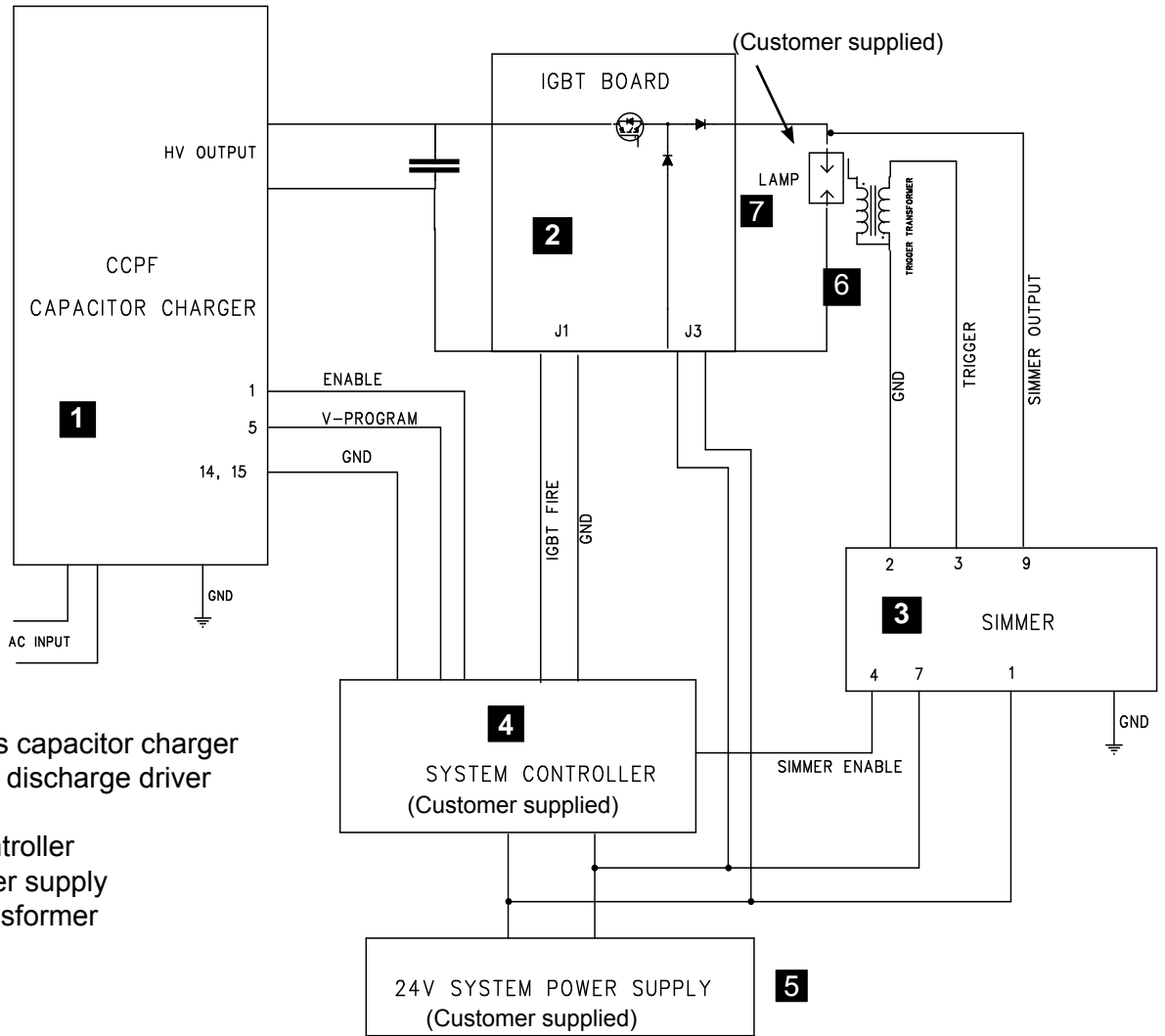
Lamp Cathode

**Outline Drawing**  
Tallest Component 1.8"



# IGBT Driver Board

## Typical Discharge Circuit



**Components:**

- 1. CCPF series capacitor charger
- 2. IGBT partial discharge driver
- 3. Simmer
- 4. System Controller
- 5. 24 volt power supply
- 6. Trigger Transformer
- 7. Lamp

The circuit above represents a typical application for the IGBT Driver Board. Consult customer service for more application details and other accessories.

It is recommended that the IGBT board be used with the CCPF series capacitor chargers. Data Sheets for these products are available at [www.luminapower.com](http://www.luminapower.com)

CCPF-2000 series 2000 j/sec Capacitor Charger. Models from 500 to 6000j/sec.

